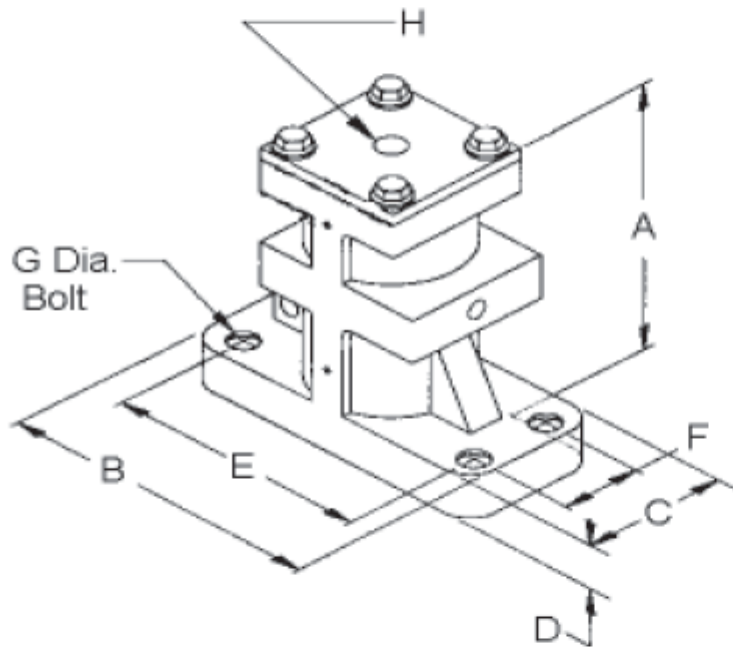


PNEUMATIC IMPACTING VIBRATORS

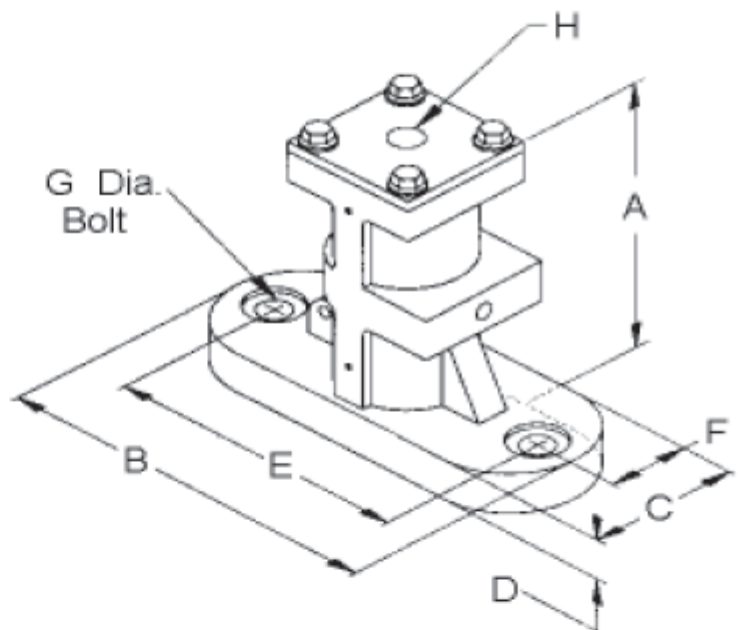
MODEL BV

- Linear Vibrator
- Continuous running or single impact
- Force 330 N to 26050 N
- Suitable for temperature up to 80 °C

2 CHAPEL ROAD, PORTSLADE, BRIGHTON, BN41 1PF ENGLAND
Tel. +44(0) 1273 430977 Fax. +44 (0) 1273 430978
Web. www.vibtec.com E-mail. sales@vibtec.com



Models BV 312,425 and 650



Models BV 112, 150 and 225

MODEL	Piston Diam mm	Weight Kgs	Hopper Wall mm	Capacity in Sloping Section
BV 112	28	1.8	1.5 - 3.0	0.15 m ³
BV 150	38	4.1	1.5 - 3.0	0.4 m ³
BV 225	57	9.5	4.0 - 6.0	1.7 m ³
BV 312	80	24.0	6.0 - 10.0	8 m ³
BV 425	108	44.4	10.0 - 12.5	35 m ³
BV 650	165	176.0	10.0 & Up	200 m ³

DIMENSIONS

MODEL	A mm	B mm	C mm	D mm	E mm	F mm	G mm	H
BV 112	33.1	114.3	50.8	12.7	88.9	25.4	12.7	1/4" BSP
BV 150	139.7	152.4	63.5	19.0	114.3	31.7	12.7	1/4" BSP
BV 225	184.1	228.6	88.9	25.4	190.5	44.4	15.8	1/4" BSP
BV 312	241.3	241.3	127.0	34.9	196.8	82.5	22.2	3/8" BSP
BV 425	304.8	355.6	152.6	38.1	304.8	101.6	25.4	1/2" BSP
BV 650	508.0	355.6	254.0	50.8	279.4	177.8	38.1	1/2" BSP

PERFORMANCE DATA

SINGLE IMPACTING FORCE (kgs/m)			
MODEL	2 Bar	4 Bar	6 Bar
BV 112	0.15	0.29	0.44
BV 150	0.69	1.38	2.08
BV 225	0.97	4.01	5.98
BV 312	5.67	11.35	16.88
BV 425	21.18	42.21	62.00
BV 650	29.89	59.79	89.68

CONTINUOUS IMPACTING									
MODEL	2 Bar (30 PSI)			4 Bar (60 PSI)			6 Bar (88 PSI)		
	Force (kgs)	Freq. RPM	Air L/ min	Force (kgs)	Freq. RPM	Air L/ min	Force (kgs)	Freq. RPM	Air L/ min
BV 112	33.1	4450	26	62.1	6200	57	97.5	7850	126
BV 150	62.1	3175	52	128	4600	98	182	5500	166
BV 225	144	2800	115	235	3600	172	318	4200	207
BV 312	314	2175	215	546	2900	301	787	3500	344
BV 425	474	1525	221	759	1950	373	1137	2400	451
BV 650	1319	975	708	2818	1425	1584	4525	1875	2605