

SW (SERIES LIMIT SWITCH BOX)

The SOLDO SW series hazardous location limit switch provides a compact design and low cost for both visual and remote electrical indication of rotary valve/actuator position. Stainless steel body and cover provide very high corrosion resistance. The wide variety of options make the SW series the ideal multi-purpose limit switch for use in EEx d IIC applications. SOLDO has the flexibility and know how to offer an effective support whenever specific needs require the development of customised solutions.

(EXPLOSION PROOF AND WEATHER PROOF)

SW series are ATEX explosion proof Ex II 2G Ex d IIC T6-T4 and Ex II 2D Ex tD B21 T110/110/140°C and water proof IP67.

(CORROSION RESISTANT AND HEAVY DUTY HOUSING)

SW series are manufactured in a heavy duty housing made of 316 stainless (CF8M). Housings include captive cover screws to permit calibration without potential for losing screws.

(HIGH SIZE 3D POSITION INDICATOR)

SW series mounts as standard a large two-colours 3D position indicator; it is easy to see real valve position both looking from top and from side of the valve. Indicator is mounted on a splined retainer in order to be finely and easily adjusted.

(JUNCTION BOX)

SW series can be provided with extra terminal strip to accommodate external solenoid valve and has four cable entries: 1/2" npt/f (M20x1.5 as option) or 3/4" npt/f (M25x1.5 as option). This feature provides a significant cost saving by eliminating the need for a separate junction box and associated labour. Several terminal strip option are available: blue or green colour, cage clamp anti vibration or screw type.

(HIGH RESOLUTION SPLINED CAMS)

Easy-set cams are splined spring loaded and independently adjustable. This design offers tool free calibration and positive vibration resistant engagement.

(SWITCH OPTIONS)

SW series can be provided with different types of switches: up to four SPDT or DPDT electromechanical silver plated or gold plated contacts; cylindrical, V3 or slot type inductive proximity [all inductive Namur 2 wire or NPN or PNP]; SPDT or DPDT magnetic proximity inert gas sealed. AS-I digital communication interface card, 3 position dribble control, 2 wire 4-20mA current position transmitter.

(STANDARDISED MOUNTING)

Housing conforms to international dimension standards VDI/VDE3845 output shaft dimensions and ISO F05 bolt hole locations. This maximizes interchangeability plus reduces cost by eliminating need for switch/actuator coupler. A complete range of stainless steel mounting kit to fit SW both on pneumatic actuators (standardised or not) and on lever operated valves is available.

(SST TWIN SHAFT DESIGN)

SWseries provides a twin shaft design, one shaft is sealed and fitted into body and another shaft is fitted and sealed into cover. This feature allows an easy and fast cover removal without need of indicator adjustment every time cover is removed.



(MATERIALS)

Body and cover : 316 stainless steel (CF8M)
Indicator dome : UV resistant and VO polycarbonate
Shaft : stainless steel
Fasteners : stainless steel

(RATINGS)

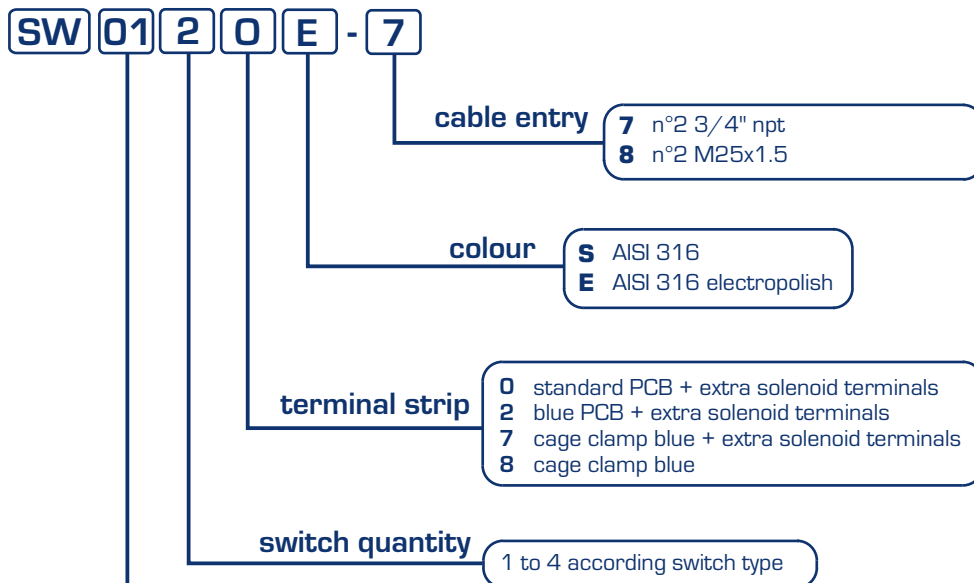
Ambient temperature range⁽¹⁾:
-25°C + 60°C (T6)
Low temperature execution up to -55°C available on request

Electrical: according to switch option
Consult "B02003-E-SWITCH_DATA" bulletin for switch rating

⁽¹⁾Temp. range may vary due to switch range.

SW (SERIES LIMIT SWITCH BOX)

(STANDARD OPTIONS AVAILABLE - Nomenclature)



NOTES

Terminal strip options depend on switch type.

Available on request different cable entries

SW013, SW014, SW023, SW024, SW033, SW034, SW733, SW734, SW753, SW754, SW833, SW834, SWC33, SWC34, SWC43, SWC44 cannot be provided with extra terminals for solenoid valve connection.

Consult specific data sheets for AS-I and dribble control options.

** Resistive loads when not specified.

switch type *	rating **	max q.ty installed
01 electromech SPDT silver plated contacts	max 5A@250VAC - 3A@24VDC min 50mA@250VAC - 50mA@24VDC	4
02 electromech SPDT gold plated contacts hermetically sealed	max 3A@250VAC - 1A@24VDC min 5mA@250VAC - 1mA@24VDC	4
03 electromech SPDT gold plated contacts	max 3A@250VAC - 1A@24VDC min 5mA@250VAC - 1mA@24VDC	4
C3 proximity SPST bifurcated inert gas hermetically sealed	max 1,5A@120VAC - 0,5A@24VDC [resistive/inductive]	4
C4 proximity SPDT inert gas hermetically sealed	max 1A@120VAC - 1A@24VDC - max 25W	4
32 proximity NO P+F NBN4 12GM40 ZO	2 wire amplified, 5-60VDC, 2-100mA	2
73 proximity PNP NO P+F NBB2 V3 E2	3 wire amplified, 10-30VDC, 100mA	4
75 proximity NO / NC programmable IFM IS5026	2 wire amplified, 5-36VDC, 200mA	4
83 proximity NO P+F NBB3-V3-Z4	2 wire amplified. 5-60VDC, 100mA	4
91 4-20 mA transmitter	10-30VDC direct - reverse action	1

(DIMENSION mm - inch)

